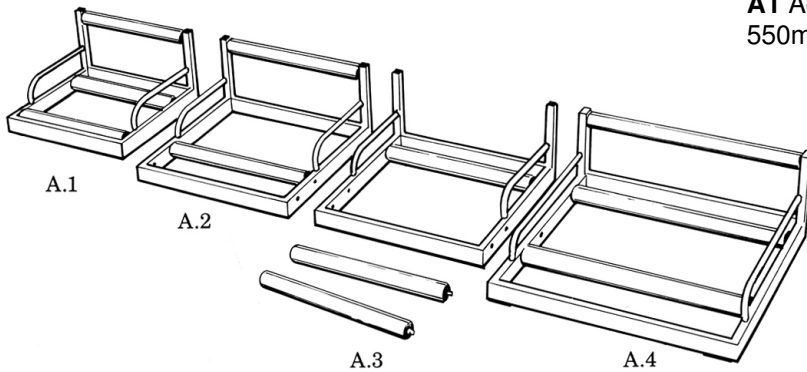


A-Models

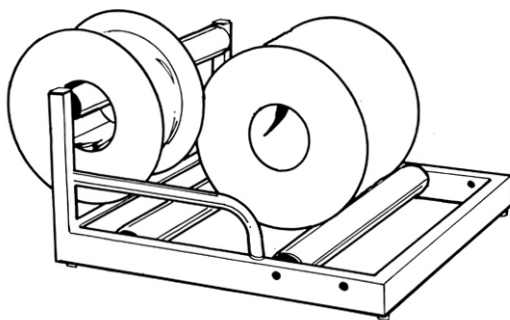


A1 Accommodates all cable drums to maximum size of 550mm diameter x 350mm wide.

A2 Accommodates drums from 450mm to 750mm diameter x 450mm wide.

A3 Accommodates all cable drums to maximum size of 750mm diameter x 450mm wide.

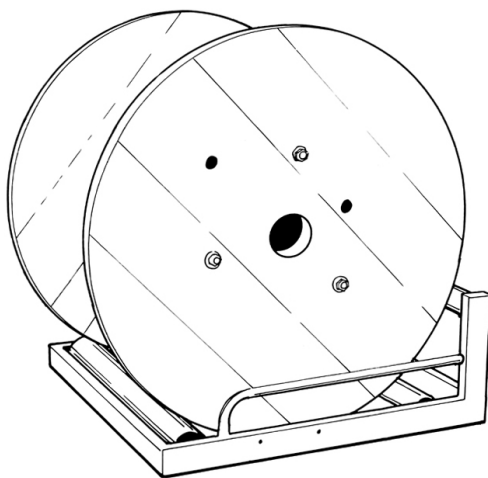
A4 Accommodates all cable drums to maximum size of 900mm diameter x 600mm wide.



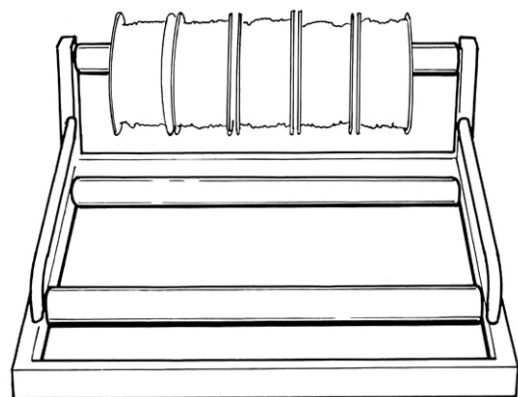
A3

Note Damaged drums smaller than 450mm diameter can be fitted to top roller (drum centre hole 50mm min).

Model	Height mm	Width mm	Depth mm	Weight	Max loading
A.1	270	440	425	6kg	55kg
A.2	270	520	520	7kg	85kg
A.3	270	520	520	8kg	85kg
A.4	270	675	675	15kg	200kg



A4



A4

WINDING AND MEASURING EQUIPMENT

35 Playford Crescent, Salisbury North, South Australia 5108
Ph: +61 8 8258 1724 • F:x +61 8 8258 9560 • info@starroll.com • www.starroll.com