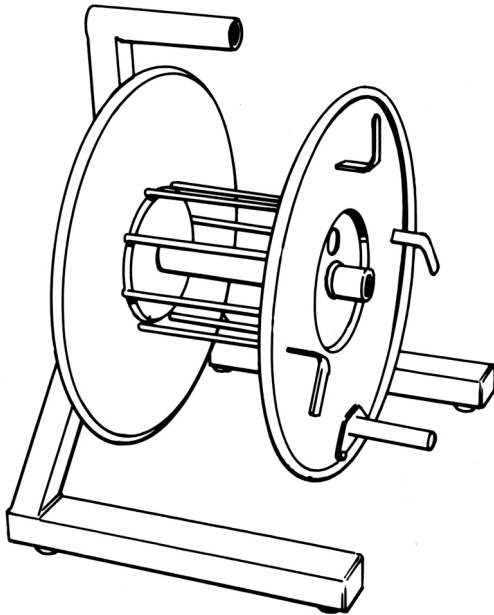


F-Series

Cord winders



FS1 STANDARD

Welded steel frame construction

Rewinding handle.

Rubber buffet feet.

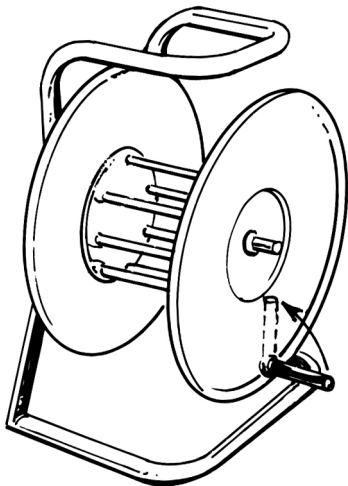
Ample capacity for housing long cord on winder.

Support tags allow for secondary winding of cord on external face of winder. (This allows for connection of power tools etc. after the main cord is unwound).

Dimensions

Height	Width	Depth	
360mm	370mm	280mm	

Weight 3.5kg



FS SPECIAL

Formed tubular frame.

Folding rewinding handle.

Ample capacity for housing long cord on winder.

Support tags allow secondary winding of cord on external face of winder. (This allows for connecting of power tools etc. after main cord is unwound).

Dimensions

Height	Width	Depth	
400mm	300mm	220mm	

Weight 3.0kg

WINDING AND MEASURING EQUIPMENT

35 Playford Crescent, Salisbury North South Australia 5108 Australia
Ph: +61 8 8258 1724 • Fx: +61 8 8258 9560 • info@starroll.com • www.starroll.com