

KR Cradle roller.

A unit which is quick & easy to payoff drums.

Accommodates drums from 450mm to 1200mm diameter maximum x 760mm wide.

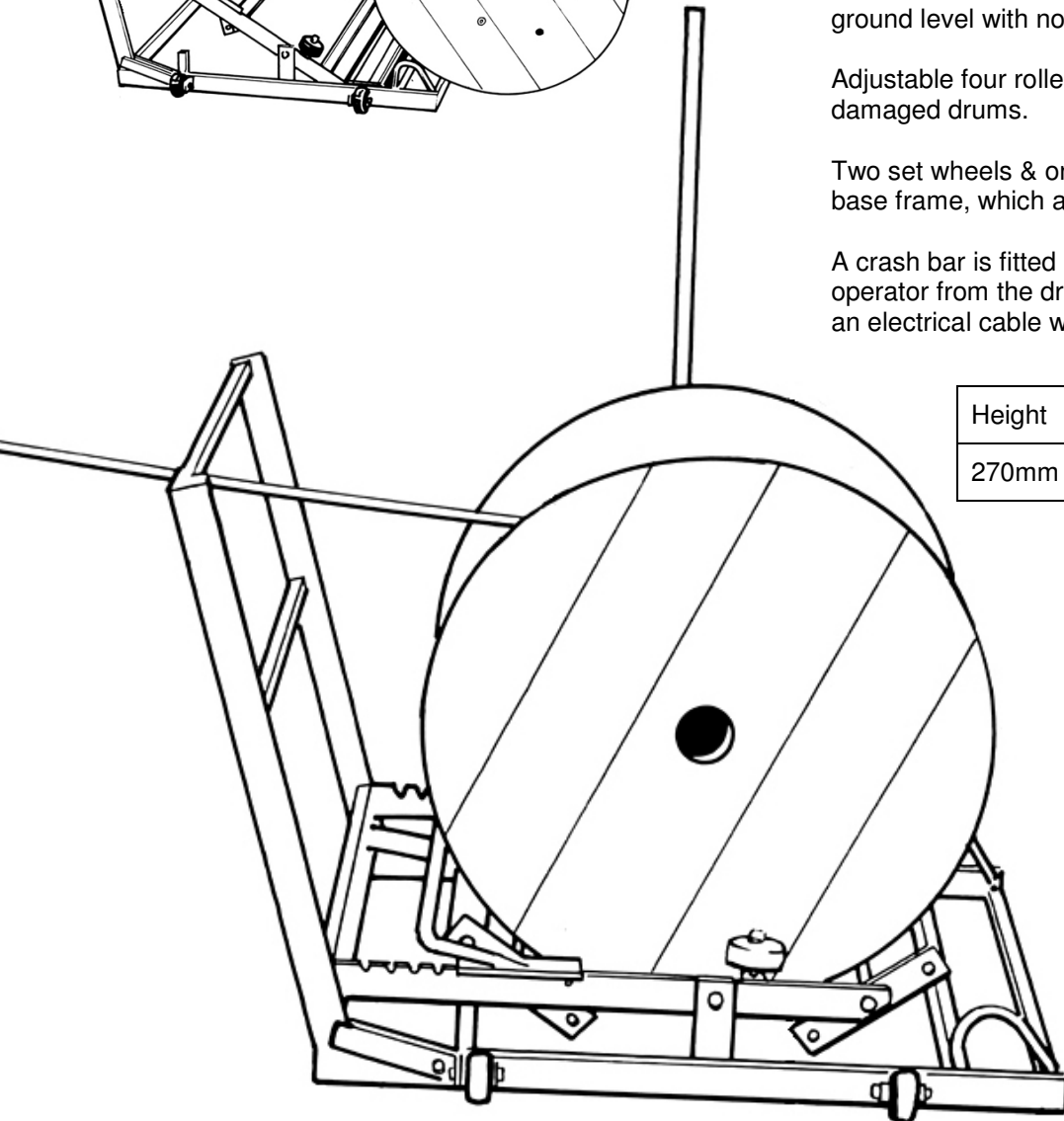
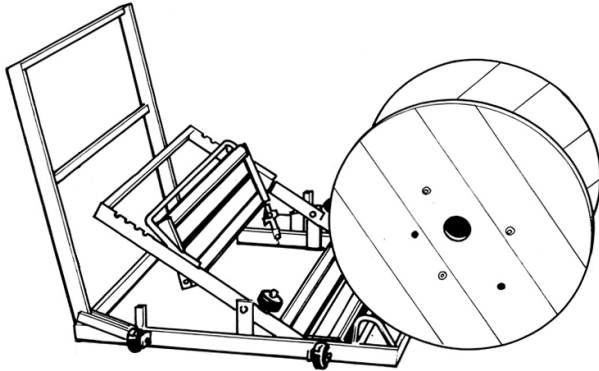
Maximum Drum Weight. 500kg.

Roll on-roll off loading by means of a pivoting base frame which allows the drum to be loaded & unloaded at ground level with no manual lifting of the drum.

Adjustable four roller system will cater for slightly damaged drums.

Two set wheels & one pivoting caster are fitted to the base frame, which allows for easy manoeuvring of unit.

A crash bar is fitted as per the illustration to protect the operator from the drum when this unit is being used with an electrical cable winding machine.



Height	Width	Depth	Weight
270mm	1130mm	1130mm	50 Kg

WINDING AND MEASURING EQUIPMENT

35 Playford Crescent, Salisbury North, South Australia 5108 Australia
Ph: +61 8 8258 1724 • Fx: +61 8 8258 9560 • info@starroll.com • www.starroll.com