

# MJ Mechanical lift cable jack

## Capacity

Maximum drum size:  
1300mm diameter x 1000mm wide.

Maximum drum weight: 1000kg.

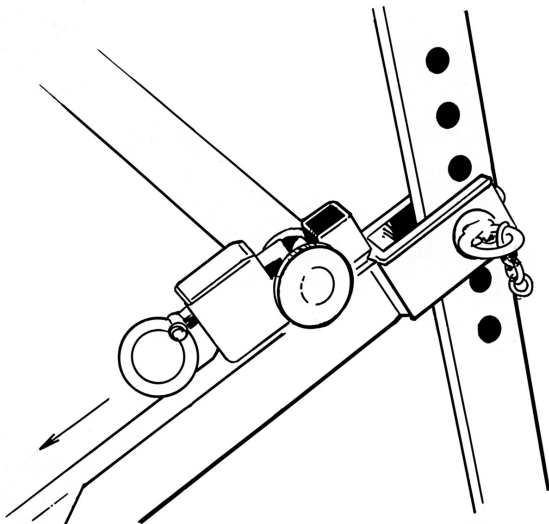
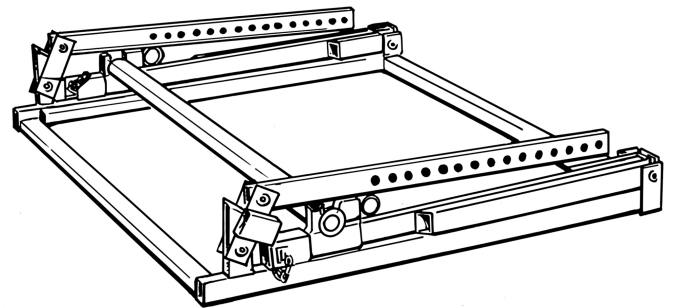
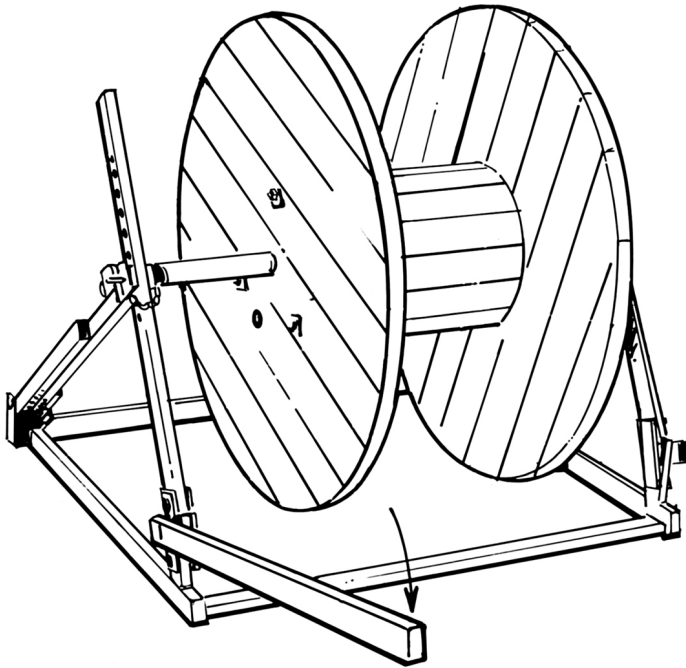
A frame type, axle supported, drum jack. Inbuilt jack system with lifting lever, lifts drum clear of ground. Fully adjustable farm allows for various size drums.

## Option

Wheels can be fitted to make the jack portable.

Snap lock allows quick fitting of axle to frame.

Unit folds into compact size for transport.



## Folded Dimensions

Width	Depth	Height
1100mm	1100mm	300mm

## WINDING AND MEASURING EQUIPMENT

35 Playford Crescent, Salisbury North, South Australia 5108

Ph +61 8 8258 1724 • Fax +61 8 8258 9560 • info@starroll.com • www.starroll.com