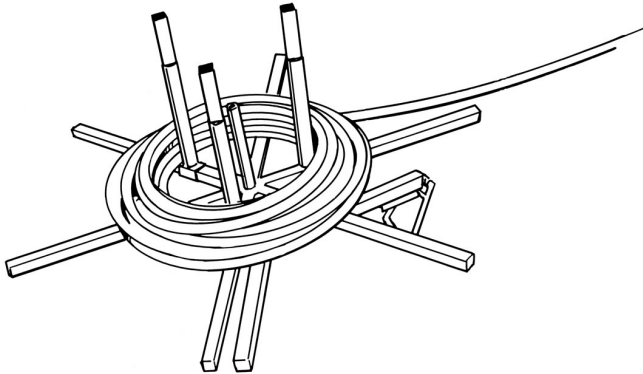


MT4 Material payoff turntable



Easy method of uncoiling loose coils cable, hose, flexible tubing, rope and wire rope.

Allows material to unravel in a neat and tidy length without twists and kinks.

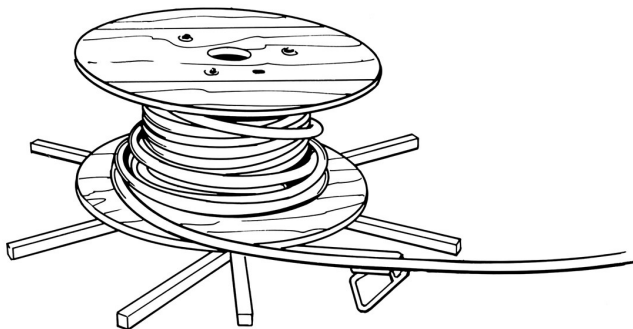
Minimum centre core 150mm extends to 900mm.

Uprights adjust to suit centre core of material.

Can be used for all types of drums, tin reels, small wooden drums, cardboard, etc. by removing the uprights.

Adjustable brake to stop over run.

Unit can be tilted to give the material an incline if needed.

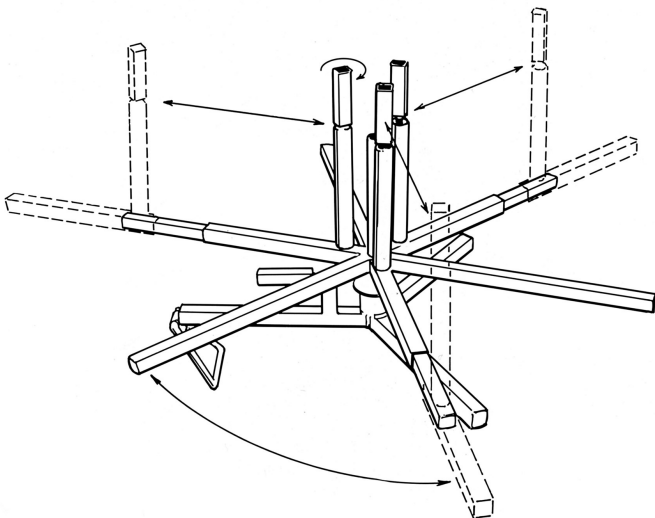


DIMENSIONS

Diameter	Height	Weight
1000mm	520mm	13kg

CAPACITY

Max Loading 100kg



WINDING AND MEASURING EQUIPMENT

35 Playford Crescent, Salisbury North, South Australia 5108 Australia
Ph: +61 8 8258 1724 • Fx: +61 8 8258 9560 • info@starroll.com • www.starroll.com