

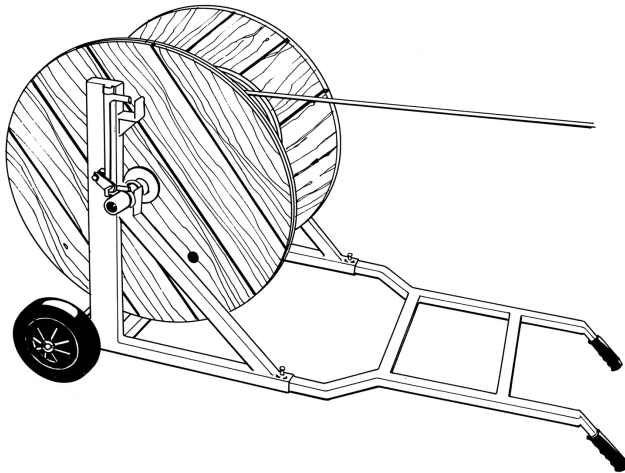
TR 1200

Drum trolley

Ideal method of moving or unreeling larger drums containing cable, wire, hose, rope etc with ease and safety.

Safety locking device secures axle to trolley frame.

Damaged drum rims offer no problem.

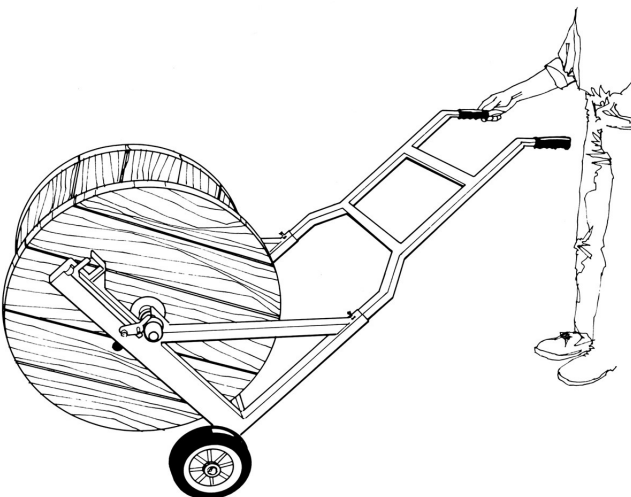


Trolley Capacities

Max drum diameter	1200mm
Max drum width	700mm
Max loading	250kg

Trolley Dimensions

Length	1630mm
Width	850mm
Axle diameter	50mm
Total weight	35kg



WINDING AND MEASURING EQUIPMENT

35 Playford Crescent, Salisbury North, South Australia 5108
Telephone +61 8 8258 1724 • Fax +61 8 8258 9560 • info@starroll.com • www.starroll.com