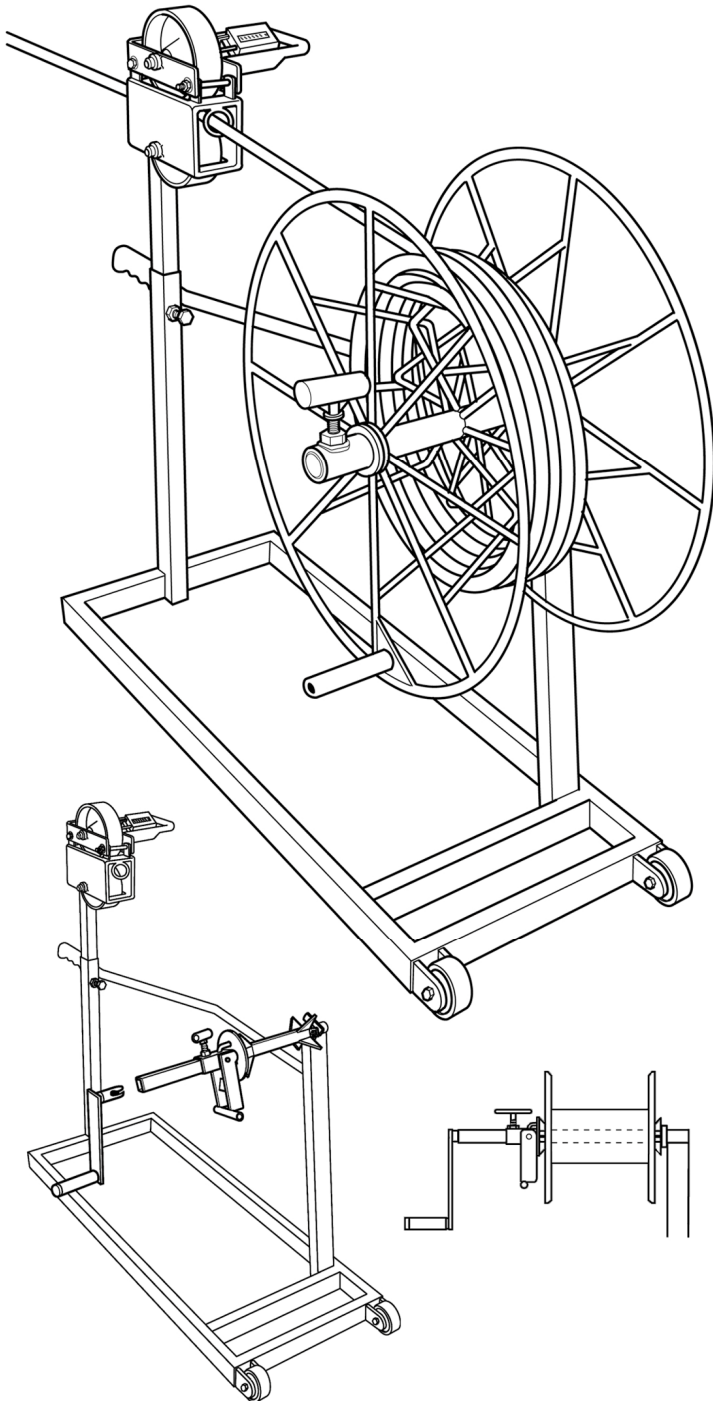


HW1

Handwinder with meterhead



Suitable for measuring cable, hose, flexible tubing & rope.

Wire rope can be measured if a special meterhead is fitted to the handwinder.

Max diameter through the standard meterhead is 32mm.

The meterhead height is adjustable.

This winder is fitted with a mechanical counter, and is designed to measure in metres (max. 9999.9m) wind flexible materials into coils.

Half of the winding cage slides off the axle to allow the wound coil to be taken off the winder.

Fitted wheels allow the unit to be moved.

Two winding cage sizes are available for selection.

Small: 600mm outside diameter, 280mm centre diameter, 250mm wide.

Large: 800mm outside diameter, 440mm centre diameter, 250mm wide.

Dimensions and Weight

Height	1200mm
Width	420mm
Length	1350mm
Weight	40kg

Capacity: Maximum loading: 90kg

Optional Drum Winding Attachment.

Fits on the HW1 Handwinder and allows a variety of small drums to be used, tin reels, wood, cardboard, plastic, etc. to a maximum size of 330mm wide and 500mm in diameter.

Minimum drum centre hole: attachment will fit 45mm.

WINDING AND MEASURING EQUIPMENT

35 Playford Crescent, Salisbury North South Australia 5108 Australia
Ph: +61 8 8258 1724 • Fx: +61 8 8258 9560 • info@starroll.com • www.starroll.com