

C-Models

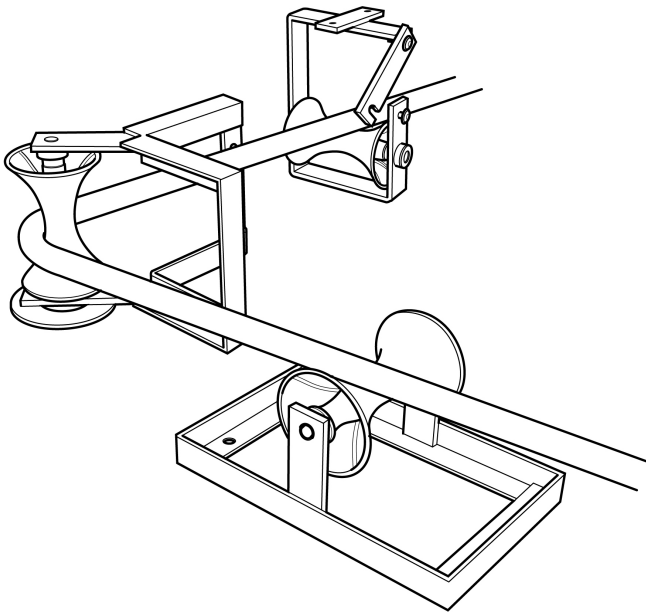
Cable Support Rollers

Aluminium cast rollers.

Steel frames.

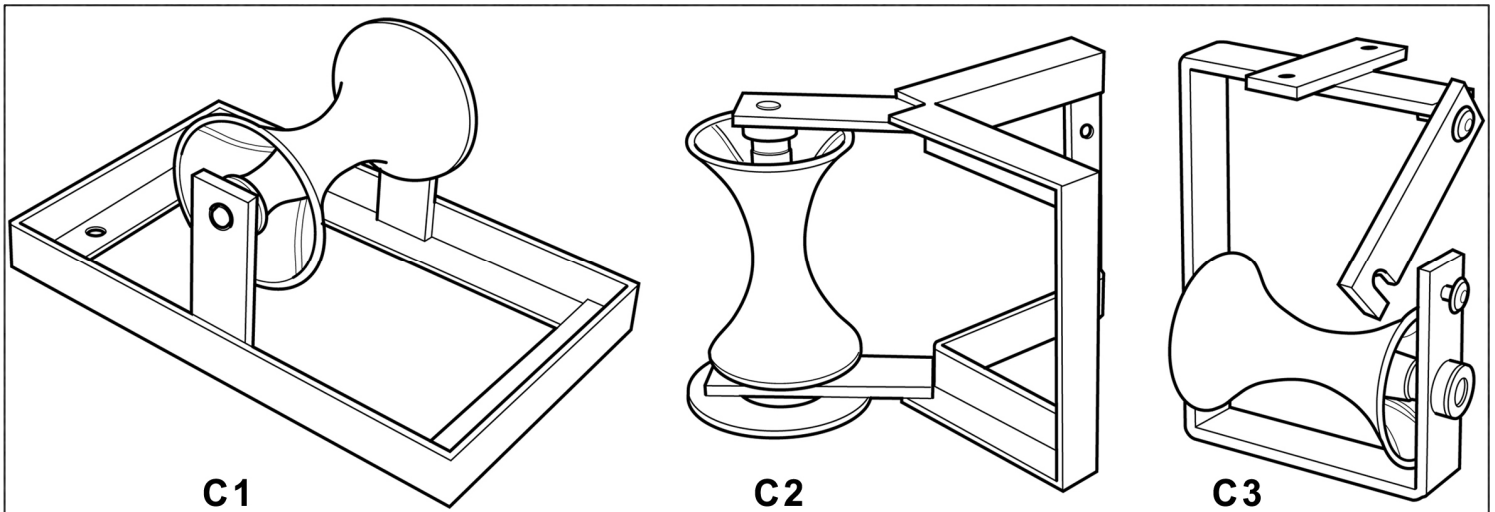
Steel 15mm diameter axles.

Axle supported in sealed roller bearings.



Model	Height	Width	Depth	Weight
C.1.	200mm	260mm	400mm	6.3kg
C.2.	350mm	260mm	340mm	7.0kg
C.3.	330mm	260mm	150mm	6.6kg

Maximum loading all units: 200kg



WINDING AND MEASURING EQUIPMENT

35 Playford Crescent, Salisbury North, South Australia 5108
Ph: +61 8 8258 1724 • Fx: +61 8 8258 9560 • info@starroll.com • www.starroll.com