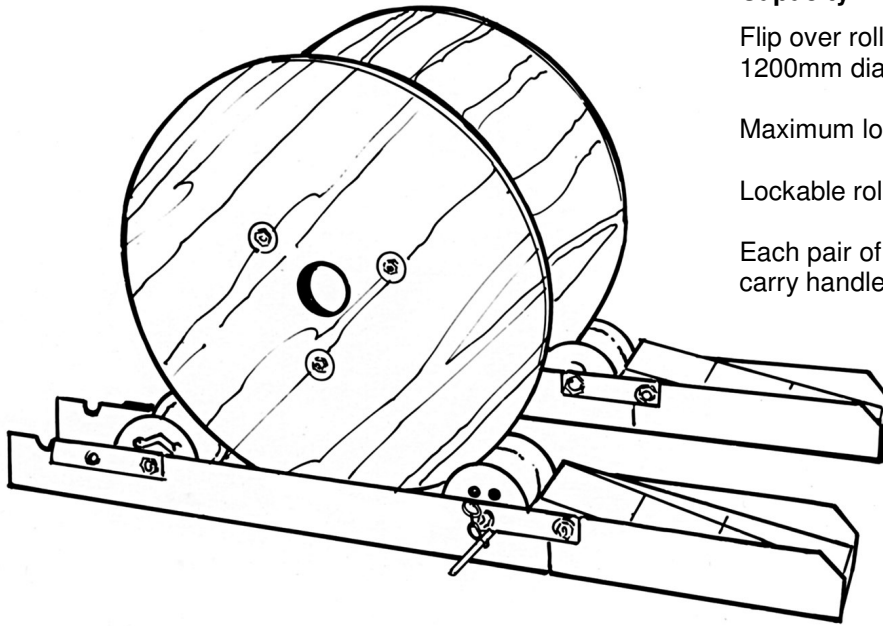


# PPR1

## Portable payoff rollers



### Capacity

Flip over roller allows drum sizes from 450mm to 1200mm diameter

Maximum loading 800kg

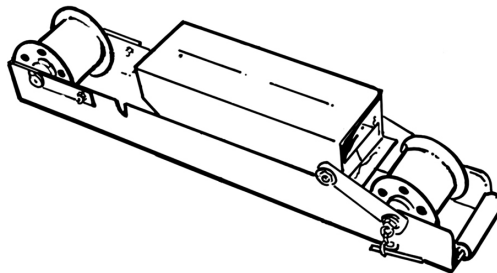
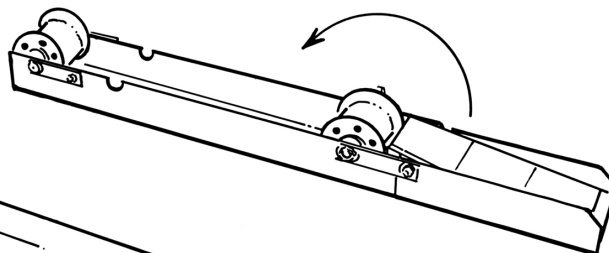
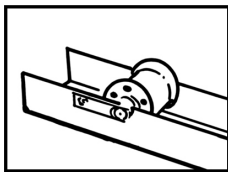
Lockable rollers for loading and unloading of drums.

Each pair of rollers is compact and portable with inbuilt carry handles.

### Dimensions

Width	Height	Length
140mm	115mm	1050mm
140mm	150mm	680mm

Weight 22kg per pair



### WINDING AND MEASURING EQUIPMENT

Starroll Industries Pty Ltd, Salisbury P.O. Box 100, South Australia 5108  
 Phone: +61 8 8258 1724 • Fax: +61 8 8258 9560 • Email: info@starroll.com • Website: www.starroll.com