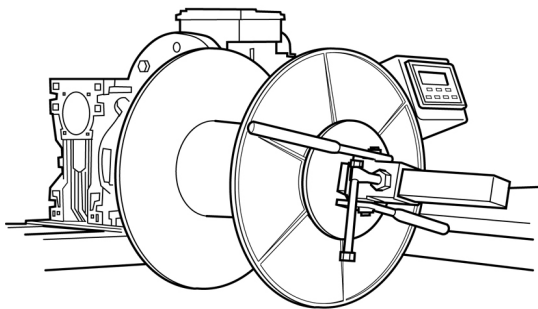
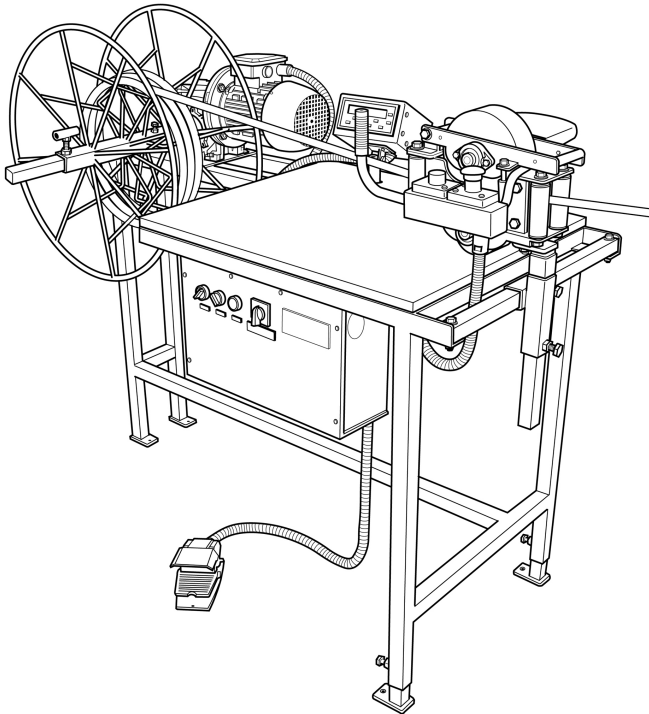


BT/AC

Winding machine



DIMENSIONS AND WEIGHT

Length	125cm
Width	45cm
Height	118cm
Weight	120kg

Power supply required 240V.10A A.C.

.75kw brake motor with inverter speed control.

The brake motor arrests over run at the end of the count.

A programmable metric electronic counter, which also allows for the winder to be recalibrated.

A slow down speed operates 10 metres before the end of a preset cable length (adjustable)

Automatic switch-off of the winder at the end of a preset cable length.

Slow down inching can be achieved by using the forward-reverse jog button.

A boot switch is supplied for operator safety (dead man switch).

The inverter has 2 winding speed ranges. Setting 1 for the coiling cage & larger drums. Setting 2 for small reels. Both speed ranges are fully variable with the speed control knob.

ELECTRICAL PROTECTION

Main supply circuit breaker.

Control wiring circuit breaker.

Inverter has inbuilt protection.

One emergency stop button on the meterhead.

MECHANICAL FEATURES

A coiling cage and drum winding attachment is supplied.

Dimensions for the coiling cage is 600mm outer diameter, 250mm width, 280mm inner diameter.

DRUM CAPACITY

Maximum size: Diameter 450mm. Width 300mm

Maximum loading: 100kg

WINDING AND MEASURING EQUIPMENT

35 Playford Crescent, Salisbury North, South Australia 5108
Ph: +61 8 8258 1724 • Fx: +61 8 8258 9560 • info@starroll.com • www.starroll.com